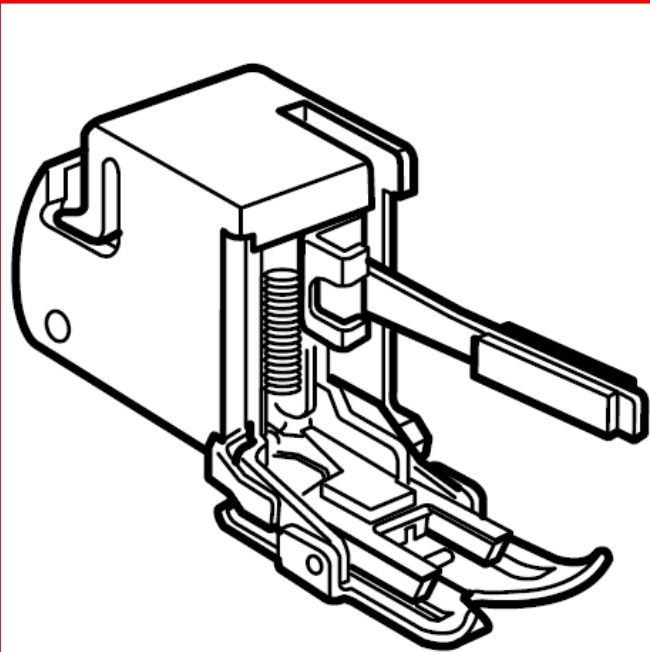


# JANOME

## Accessory of the Month

January 2018



### Walking / Even Feed Foot

The even feed foot walks over fabric to assist with smooth feeding. With this foot fabric can be sewn without puckering, as the fabric is gripped and fed by both the upper and lower feed dogs. Use the quilting guide for perfectly spaced parallel lines of stitching or to form a wider seam allowance.

This Accessory of the Month does have a bonus project for you to make using the Walking Foot. Press the link to download the project.

[Weekly Menu Planner](#)

Part Number	Compatible Machines
202 137 009	9mm Top Loading - MC9900, Skyline S5
200 309 008	7mm Top Loading - High Shank Models
200 311 003	7mm Top Loading - Low Shank Models
941 610 000	5mm Front Loading